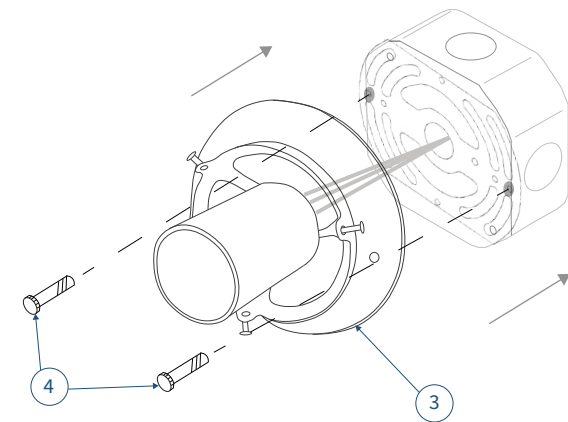
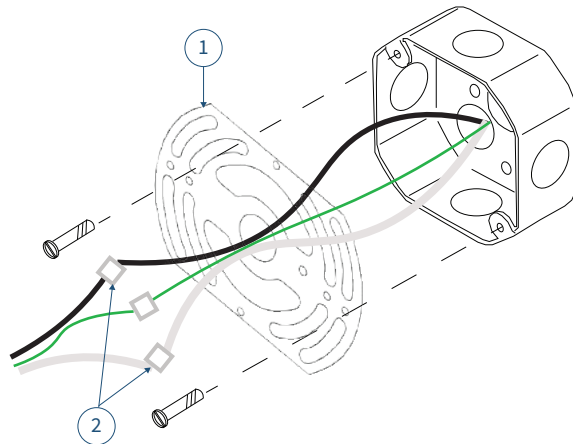


BUFF WALL LIGHT - HARDWIRE INSTALLATION & CARE INSTRUCTIONS



NOTES:

-Buff Wall Light should be installed by a licensed electrician.



1. Install the universal crossbar (1) on to the junction box bringing the wires through the center hole of the crossbar.

2. Carefully hold the fixture or have a second person hold it while wiring the fixture wires (2) to the junction box wires using the WAGO connectors provided (or wire nuts, if preferred).

3. Carefully tuck the wires back through the hole.

Note: if you prefer to secure the crossbar after you wire the fixture, that is your preference.

4. Place the brass backplate (with shade fitter attached)(3) against the junction box and secure the fixture to the crossbar using the brass thumb screws (4) provided (holes should line up with the holes marked in black on the crossbar).

5. Install the shade by loosening the brass thumb screws on the shade fitter, placing the glass shade securely on the fitter and tightening each of the screws evenly until the shade is secure.

6. Install the bulb included and enjoy! We like this fixture with a warmer bulb like a 2700K temperature, 6W (around 40W equivalent) LED bulb should you decide to buy a different bulb.

Tip: Install Buff on a dimmer switch if you wish to control the light levels (be sure the bulb you use says "dimmable").

CARE:

Buff is made from lacquered brass. Never use harsh abrasives, chemical cleaners or polish on lacquered brass. Dust with a soft cloth or duster. Wipe occasionally with a dampened soft cloth. Gently wipe dry with a soft cloth.